

Item BFMB01
Item BFSS01

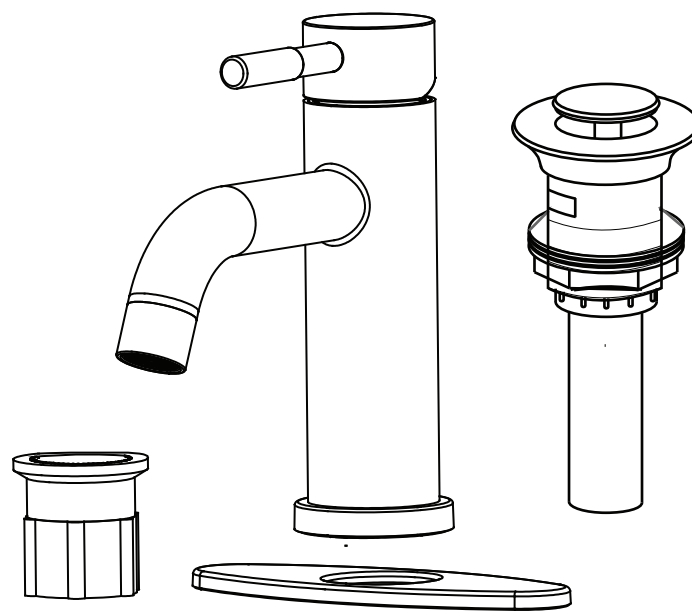
SINGLE HANDLE LAVATORY FAUCET

Includes

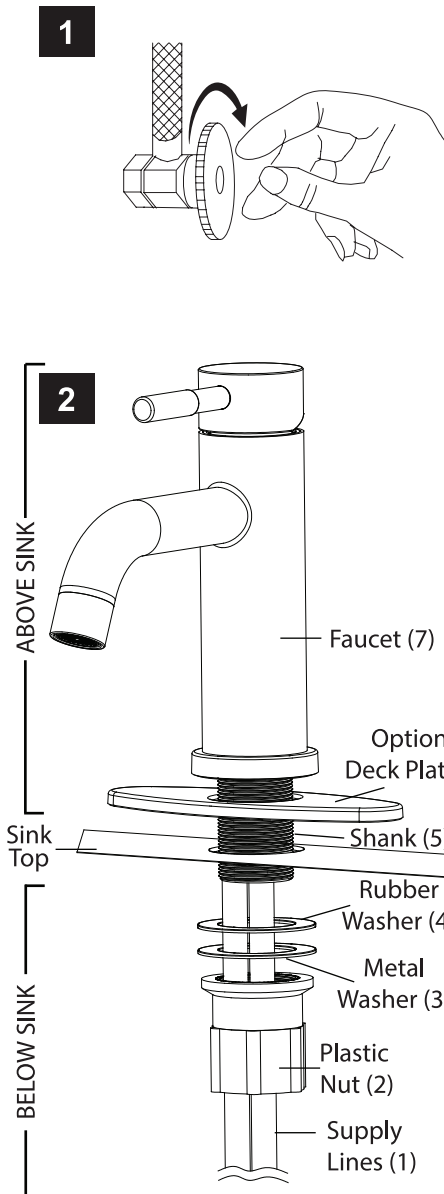
- 1 Bathroom Faucet
- 2 SS Supply Lines
- 1 Mounting Nut
- 1 Push Pop-up
- 1 Optional Deck Plate

What you will need

- Adjustable Wrench
- Safety Glasses (recommended)



FAUCET INSTALLATION



1 Remove the old fixture:

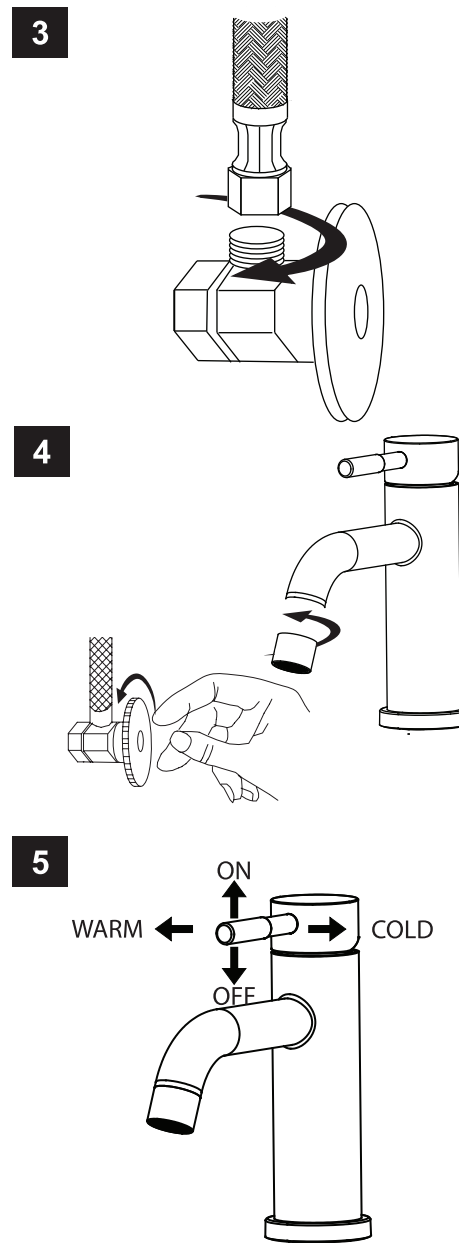
- Shut off water by turning the handle on the supply stop (located under the sink) in a clockwise direction.
- Remove and discard old supply lines and faucet.
- Clean the area on sink or countertop where the new faucet will be installed.

2 Optional deck plate:

- This faucet can be installed with or without the deck plate (6)
- If sink has 3 holes, use deck plate (6) to cover existing holes
- If sink has 1 hole, faucet (7) can be installed with or without deck plate (6) for desired look

3 Mount the new fixture:

- Feed supply lines (1) through the center (or single) hole of the sink
- Place the supply lines (1) and shank (5) through sink and position faucet (7) [and deck plate (6) if used] to desired position
- From bottom slide rubber washer (4), metal nut (3), and plastic nut (2), in that order, over supply lines (1) and up to shank (5)
- Hand tighten the plastic nut (2) from below turning clockwise until secure



3 Reconnect the water supply:

- This faucet comes with 20" stainless steel braided supply lines pre-installed.
- Supply line nut will connect direct to supply stop with 3/8 inch male compression thread
- Hot side is marked with sticker and should always be the line on the left - cold on right
- Tighten by hand turning nut clockwise until secure then use adjustable wrench to tighten additional 1/4 turn
- DO NOT OVERTIGHTEN

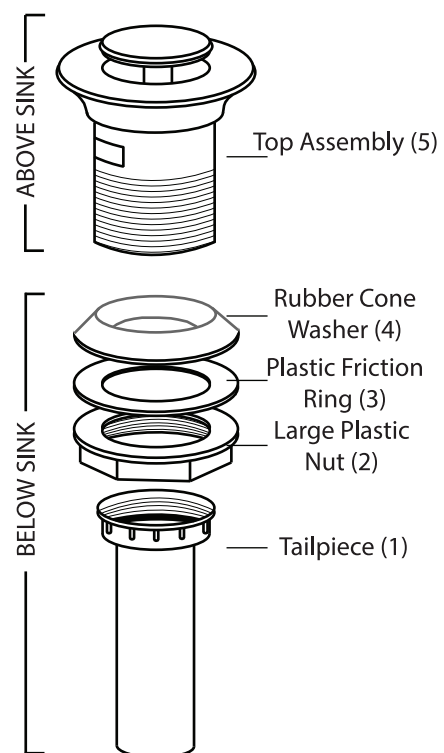
4 Turning on new faucet:

- Remove the aerator by turning counterclockwise. Set it aside for now
- With faucet handles in the OFF position, slowly turn on the water supply stop and check for leaks.
- Tighten any area where you find leaks, again careful not to overtighten
- If no leaks, turn faucet handles to ON position and flush for 30 seconds
- Turn handles to off position and replace aerator by turning in clockwise direction

5 Faucet operation:

- Lift handle to turn on, push down to turn off
- Move handle towards left side for warmer water and to the right for colder water
- If water pressure from the faucet drops, repeat the process of removing the aerator and check for debris or sediment that may be caught in the restrictor
- Keep faucet clean with soap and soft towel, DO NOT ever use abrasive cleaners or scouring pads on faucet finish

POP-UP INSTALLATION



6 Prepare the pop-up:

- Separate the pop-up top assembly (5) taking note of the order and direction of each part as you remove it.
- Unscrew the tailpiece (1)
- Remove the large plastic nut (2)
- Remove the plastic friction ring (3)
- Remove the rubber cone washer (4)

7 Install the pop-up:

- Press top assembly (5) into the drain hole
- While holding top assembly (5) in place, reach under the sink and replace the rubber cone washer (4) (tapered end up), the plastic friction ring (3), and the large plastic nut (2) in that order.

8 Tighten the plastic nut:

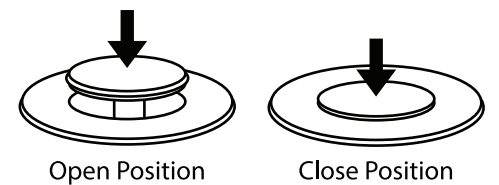
- Press top assembly (5) into the drain hole
- While holding top assembly (5) in place, tighten the large plastic nut (2) by hand.
- Use a wrench to tighten no more than 1/4 turn after hand tight (overtightening could crack the assembly)

9 Final steps and test:

- Thread tailpiece (1) on as last step
- Hand tighten only
- Install drain kit (not included) - follow manufacturer's instructions on proper fit of drain pipe)
- Once all parts are secure, turn on water and inspect for leaks

Push pop-up operation:

- New style pop-up works by lightly pushing the top of cover
- Spring function works like a click pen, push once to open, push again to close



Easy clean to prevent clogs:

- This pop-up features an easy way to clear hair and drain clogs without going under the sink
- Turn top cover counter-clockwise
- Turn spring piston counter-clockwise
- Clean and return
- Hand loosen and tighten only

