

Item PDFMB01
Item PDFSS01

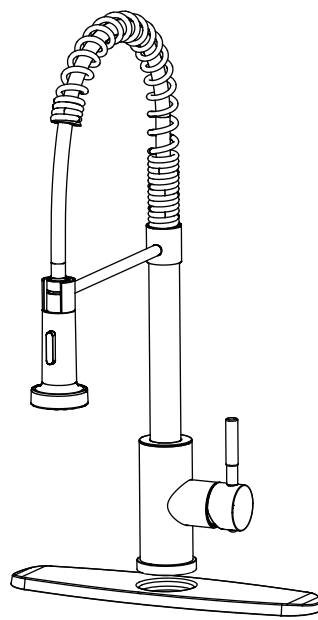
PULL DOWN, SINGLE HANDLE KITCHEN SPRING FAUCET

Includes

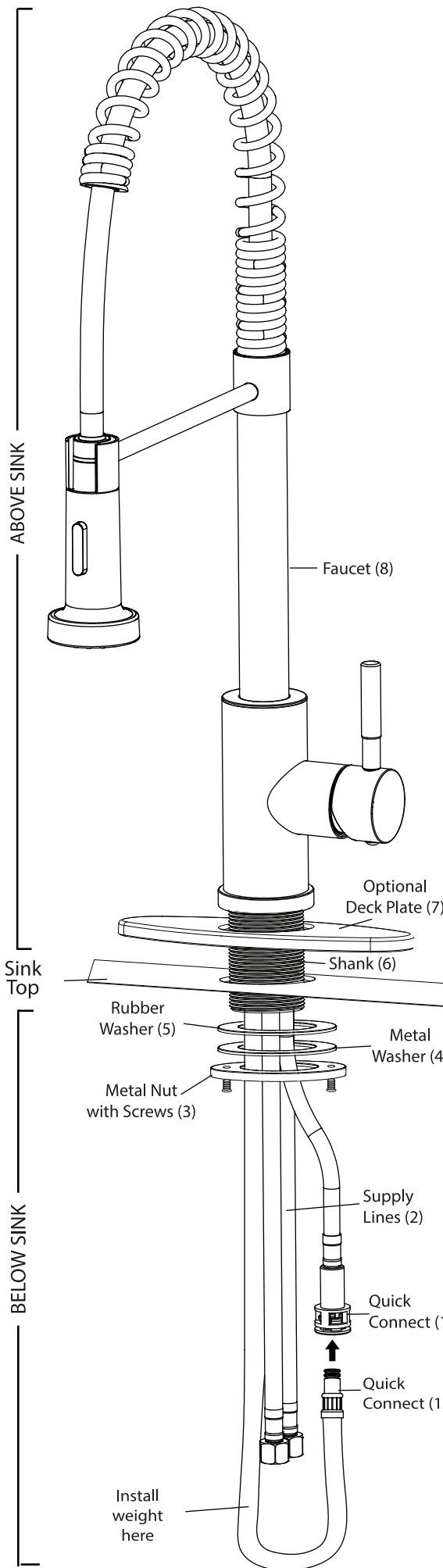
- 1 Kitchen Faucet
- 2 SS Supply Lines
- 1 Mounting Nut
- 1 Optional Deck Plate

What you will need

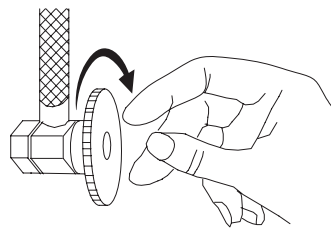
- Adjustable Wrench
- Phillips Screwdriver
- Safety Glasses (recommended)



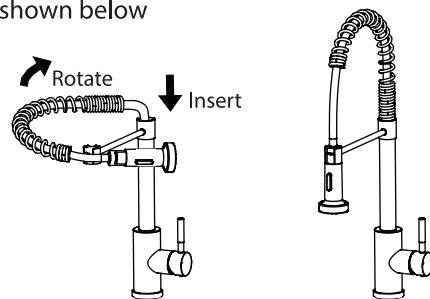
FAUCET INSTALLATION



- 1** Remove the old fixture:
- Shut off water by turning the handle on the supply stop (located under the sink) in a clockwise direction.
 - Remove and discard old supply lines and faucet.
 - Clean the area on the sink or countertop where the new fixture will be installed.



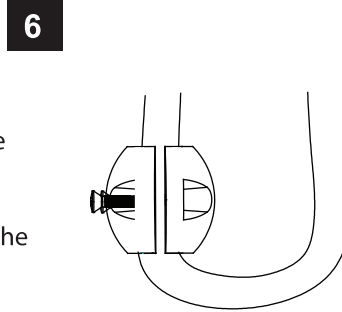
- 2** Unpack the faucet:
- This faucet is shipped with the spring spout separated to reduce box size
 - Insert spring top into the faucet assembly as shown below



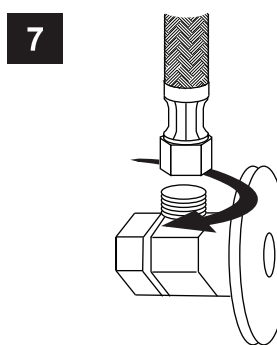
- 3** Optional deck plate:
- This faucet can be installed with or without the deck plate (6)
 - If the sink has 3 holes, use the deck plate (6) to cover the existing holes
 - If the sink has 1 hole, the faucet (7) can be installed with or without the deck plate (6) for the desired look

- 4** Mount the new fixture (above the sink):
- Feed the quick connect (1) and supply lines (2) through the center (or single) hole of the sink
 - Place the quick connect (1), supply lines (2), and shank (6) through the sink and position the faucet (8) and deck plate (7) (if used) to the desired position
 - Feed the quick connect (1) and supply lines (2) through the center (or single) hole of the sink

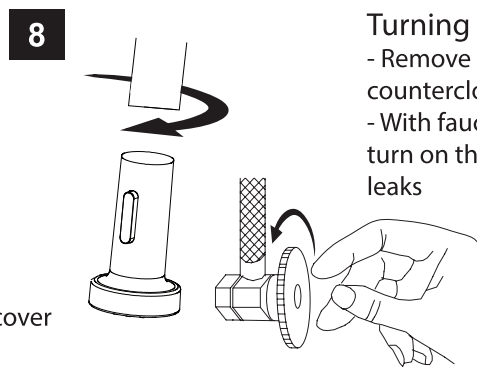
- 5** Mount the new fixture (below the sink):
- From the bottom, slide rubber washer (5), metal washer (4), and metal nut with screws (3), in that order, over the quick connect (1), supply lines (2) and up to the shank (6)
 - Hand tighten the metal nut (3) from below by turning it clockwise until secure
 - Once the metal nut is tight, use a screwdriver to tighten the screws on the metal nut with screws (3) to prevent the nut from loosening
 - While holding the quick connect part 1B, firmly press the quick connect part 1A into 1B. This should click
 - Test the quick connect (1A and 1B) by pulling lightly on both sides to ensure the connection



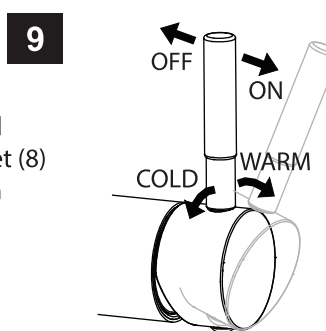
- Install the weight (below the sink):
- Weight must be installed to ensure the spray head returns when it is pulled down
 - Separate the two sides of the weight by removing the screws with a Phillips screwdriver
 - Place weight around the looped hose on the side away from the quick connect
 - Secure by fastening the screws in the weight
 - Test the pull-down spray to make sure it sets fully into the spout when released
 - If the spray head does not fully return, move the weight 1" higher on the hose and test again



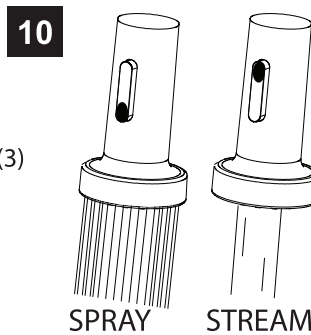
- Reconnect the water supply:
- This faucet comes with 20" stainless steel braided supply lines pre-installed
 - The supply line nut will connect directly to the supply stop with 3/8" male compression thread
 - The hot side is marked with a sticker and should always be the line on the left - cold on the right
 - Tighten by hand turning the nut clockwise until secure then use the adjustable wrench to tighten an additional 1/4 turn
 - DO NOT OVERTIGHTEN



- Turning on new faucet:
- Remove the spray head by turning it counterclockwise
 - With faucet handle in the OFF position, slowly turn on the water supply stop and check for leaks
 - Tighten any area where you find leaks, again, be careful not to overtighten
 - If no leaks, turn the faucet handle to ON position and flush for 30 seconds
 - Turn the handle to the OFF position and replace the spray head



- Faucet operation:
- To turn on the faucet, angle the handle away from the faucet body, to turn off, push the handle upright toward the faucet body
 - Rotate the handle backwards for warmer water and forward for colder water
 - If the water pressure from the faucet drops, repeat the process of removing the spray head and check for debris or sediment that might be caught in the filter of the spray head
 - Keep the faucet clean with soap and a soft towel, DO NOT ever use abrasive cleaners or scouring pads on faucet finish



- Spray head operation:
- The spray head is designed to be pulled down to reach into the sink. Grasp the spray head and gently pull down
 - Guide the spray head back to its dock position on the faucet spout. DO NOT release the spray head to snap back into the position as it may damage the spray head or its finish
 - The spray head has a dual button design to allow for stream or spray. Press the top or bottom button to change between the two options